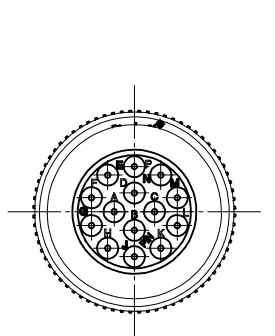
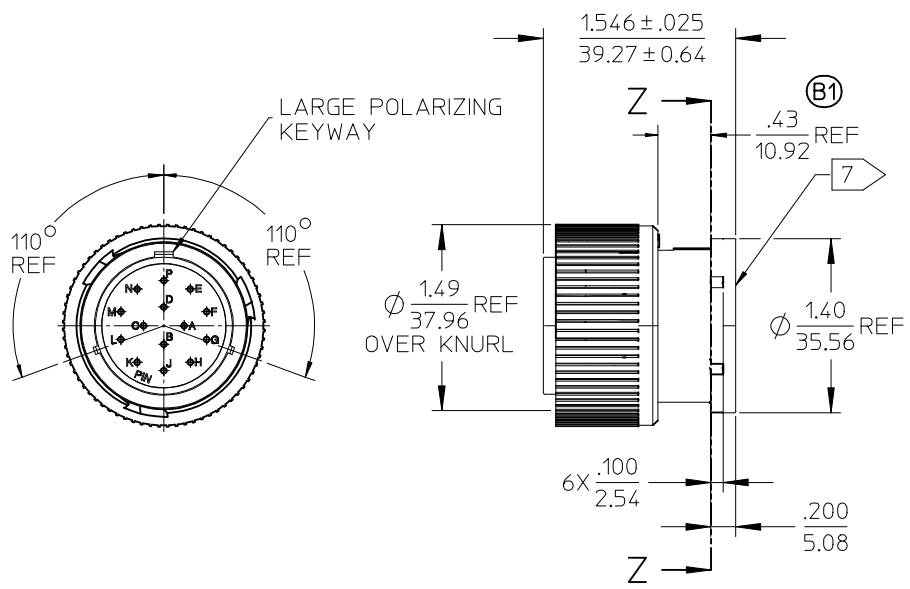
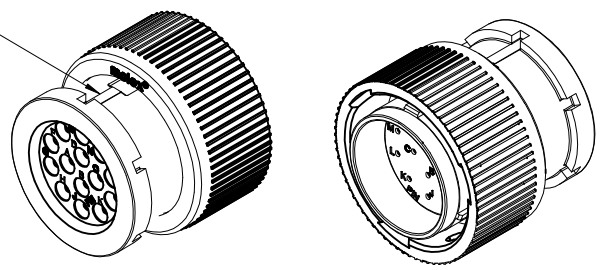
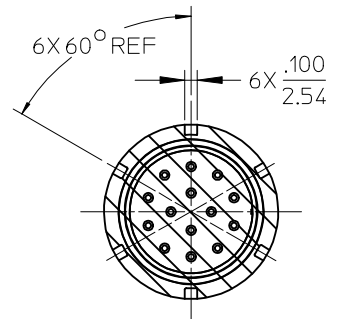


| | | |
|-----------------|----------|-------------------------|
| MATERIAL NUMBER | WIRE AWG | INSUL DIA O.D. |
| 845010001 | 18-14 | .053(1.35) - .120(3.05) |

LARGE POLARIZING KEY INDICATOR



WIRE ENTRY VIEW



SECTION Z-Z

- NOTES:
1. MATERIALS: HOUSINGS: POLYESTER (PBT), GLASS FILLED, UL94V-0 & POLYETHERIMIDE (PEI), UNFILLED, UL94V-0. COLOR, UNLESS OTHERWISE SPECIFIED: BLACK
SEALS: SILICONE RUBBER
COLOR: RUST RED
 2. PRODUCT SPECIFICATION: PS-84501-001.
 3. MATES WITH: SERIES 84508 RECEPTACLE CONNECTOR.
 4. USE CONNECTOR WITH MALE CRIMP TERMINAL SERIES 84590.
 5. ALL COMPONENTS ARE ROHS COMPLIANT.

| | | | | | | | | | |
|--|-------------------------------|--|---------|--------------------------|------------------|---|------------------------------|------------------------|--|
| UPDATED DIMENSION EC NO: WNA2009-0131 DRAWING NO: 2008/09/24 CHKD:RDEROSS 2008/10/13 APPR:RDEROSS 2008/10/14 B1 | QUALITY SYMBOLS ▽=0 ▽=0 | GENERAL TOLERANCES (UNLESS SPECIFIED) | | DIMENSION STYLE IN/MM | | SCALE 1:1 | DESIGN UNITS INCH | THIRD ANGLE PROJECTION | |
| | | 4 PLACES ± --- ± --- | mm INCH | DRAWN BY DMYRICK | DATE 2006/2/8 | TITLE PLUG CONNECTOR ASSEMBLY, 18-14 POS PIN TERMINALS | | | |
| | | 3 PLACES ± --- ± .015 | | CHECKED BY JPAWLICKI | DATE 2006/2/8 | MOLEX INCORPORATED | | | |
| | | 2 PLACES ± 0.38 ± --- 1 PLACE ± --- ± --- ANGULAR ± ---° | | APPROVED BY RDEROSS | DATE 2006/2/8 | MATERIAL NO. SEE CHART | DOCUMENT NO. SD-84501-001 | SHEET NO. 1 OF 1 | |

DRAFT WHERE APPLICABLE MUST REMAIN WITHIN DIMENSIONS

THIS DRAWING CONTAINS INFORMATION THAT IS PROPRIETARY TO MOLEX INCORPORATED AND SHOULD NOT BE USED WITHOUT WRITTEN PERMISSION